



CXP-104M-N3160P

Features

- 10.4" Industrial Panel PC
- Intel Celeron Processor N3160(1.6GHz) CPU built-in
- True Flat Screen
- Fanless Design
- Modular Design
- Triple Display
- 12~24V DC Wide-ranging Power Input
- IP65 compliant front panel



Technical Specifications

LCD

10.4" LED 800 x 600

Brightness (cd/m2)

350

Contrast Ratio

700:1

CPU

Intel Celeron N3160

Memory

One 204 pin 1333/1600 MHz dual-channel DDR3L supports up to 8GB

OS Support

Windows, Linux

Touch Panel

Projected Capacitive Touch

I/O

2 x USB 3.0 , 3 x USB 2.0, 2 x LAN Ports, 2 x RS232
1 x RS232/422/485, 1 x HDMI, 1 x VGA

Dimension (WxHxD)(mm)

294 x 226 x 71.5

Power

DC 12V

Operating Temperature

0°~50°C

Storage Temperature

-30°~80°C

COMX

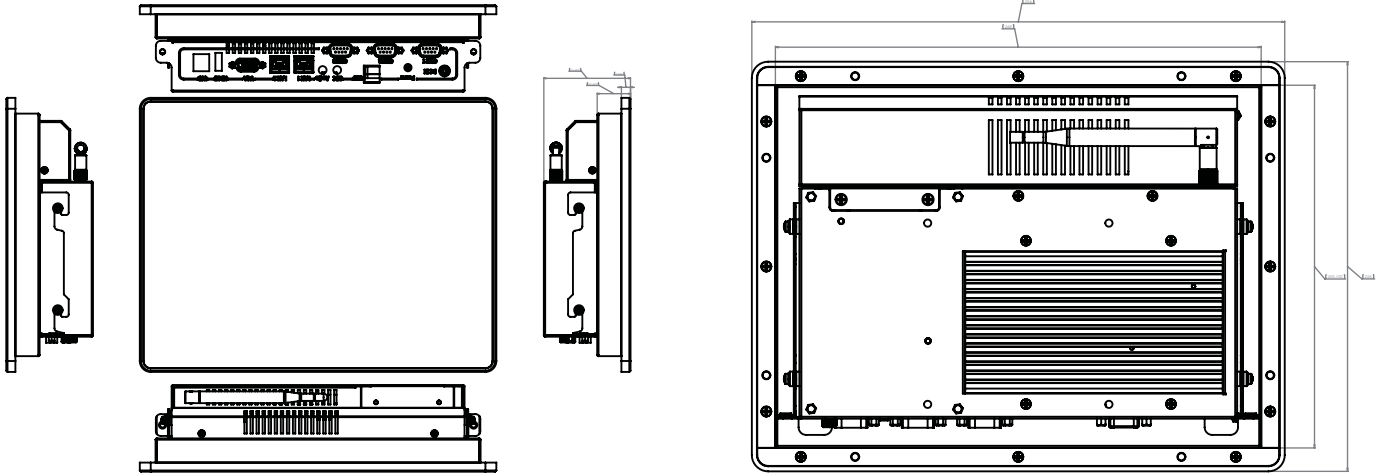
17F-10 NO. 79, SEC 1 XINTAI 5th RD.,
XIZHI DIST, 221, NEW TAIPEI CITY
22101 TAIWAN

Tel: +886 2 8698 3608
Fax: +886 2 8698 3606

<http://www.comxpc.com>



Technical Drawing

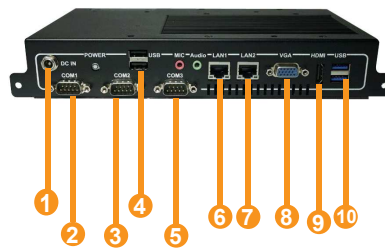


Packing & Options

Packaging

- System
- Power adaptor
- AC power cord
- 1x Vesa mount M4 x 5 screw set
- 1x Bezel mount M4 screw set
- 1x Waterproof rubber for bezel mount
- Drivers & manual

I/O & Control keys



- 1 DC Input
- 2 COM
- 3 COM
- 4 USB
- 5 COM
- 6 LAN
- 7 LAN
- 8 VGA
- 9 HDMI
- 10 USB



Front



Back