



CXP-15S-N2930IRFG

Features

- Low Power Consumption Panel PC
- Intel Celeron Processor N2930
- Onboard DDR3L 4GB 1333/1600MHz
- IP66/69K rated with M12 connector
- SUS304 Grade Stainless Steel Enclosure (SUS 316 Optional)
- Full Flat Bezel and Fanless Design
- Resistive Touch
- 9~36V DC Wide-ranging Power Input
- Touch on/off Button on the Side Edge for Hygienic Cleaning



Technical Specifications

LCD

15" LED 1024 x 768

Brightness (cd/m2)

420

Contrast Ratio

800:1

CPU

Intel Celeron N2930

Memory

Onboard 1333/1600 MHz dual-channel DDR3L supports up to 4GB

OS Support

Windows 7 Embedded Standard 7, Windows Embedded 8.1 Pro
Windows 10

Touch Panel

Resistive Touch

I/O

1 x USB 2.0 M12 , 1 x COM M12 (RS232/422/485)
1 x LAN M12

Dimension (WxHxD)(mm)

399 x 324 x 53

Power

DC 12V

Operating Temperature

-20°~60°C

Storage Temperature

-30°~70°C

COMX

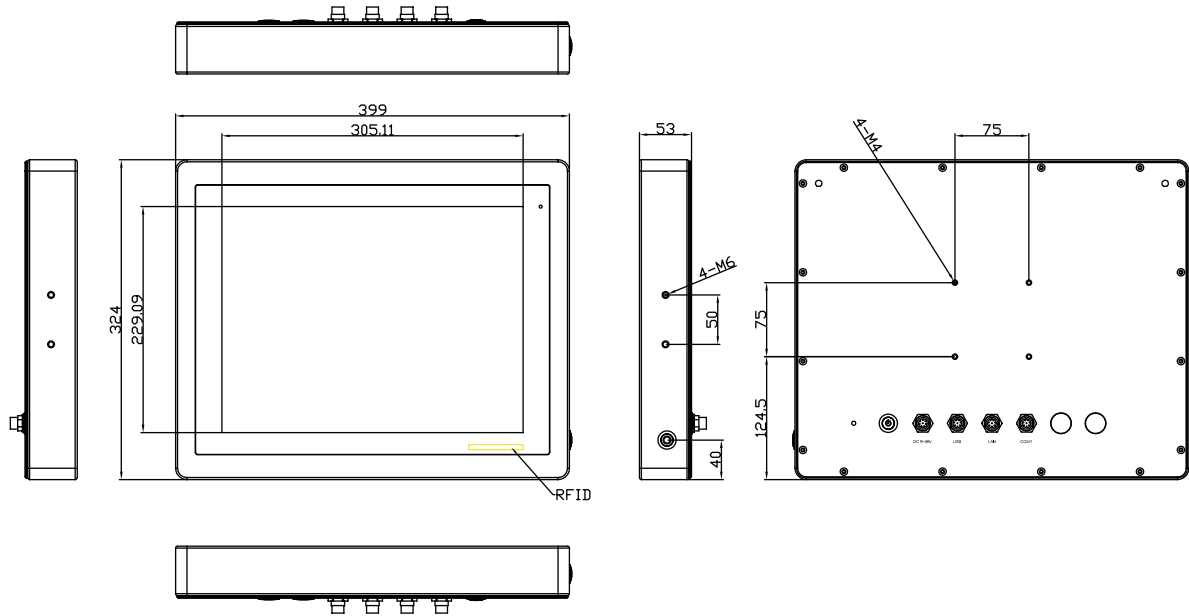
17F-10 NO. 79, SEC 1 XINTAI 5th RD.,
XIZHI DIST, 221, NEW TAIPEI CITY
22101 TAIWAN

Tel: +886 2 8698 3608
Fax: +886 2 8698 3606

<http://www.comxpc.com>



Technical Drawing



Packing & Options

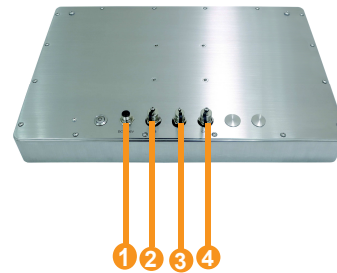
I/O & Control keys

Packaging

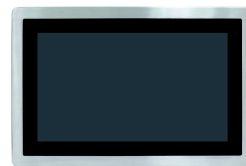
- System
- Power adaptor
- AC power cord

Options

- USB 2.0 x 2
- COM x 1
- M12 to 1x LAN cable
- M12 to 1x USB cable
- M12 to 1x COM cable



- 1 DC 12 V
- 2 USB
- 3 LAN
- 4 COM



Front



Back