



CXP-15S-N2600IP

Features

- Low Power Consumption Panel PC
- Intel Celeron Processor N2600
- Default DDR3 2GB 800/1066MHz
- IP65 compliant
- Stainless Housing
- Robust and Fanless Design
- Projective Capacitive Touch
- 12V DC Lockable Power Jack



Technical Specifications

LCD

15" LED 1024 x 768

Brightness (cd/m2)

400

Contrast Ratio

700:1

CPU

Intel Celeron N2600

Memory

One 204-pin 800/1066 MHz dual-channel DDR3 SO-DIMM supports up to 4GB

OS Support

Windows 7

Touch Panel

Projected Capacitive Touch

I/O

1 x LAN RJ-45, 1 x COM RS232 (Optional RS422/485)
2 x USB

Dimension (WxHxD)(mm)

369 x 310 x 49

Power

DC 12V

Operating Temperature

-20°~60°C

Storage Temperature

-30°~70°C

COMX

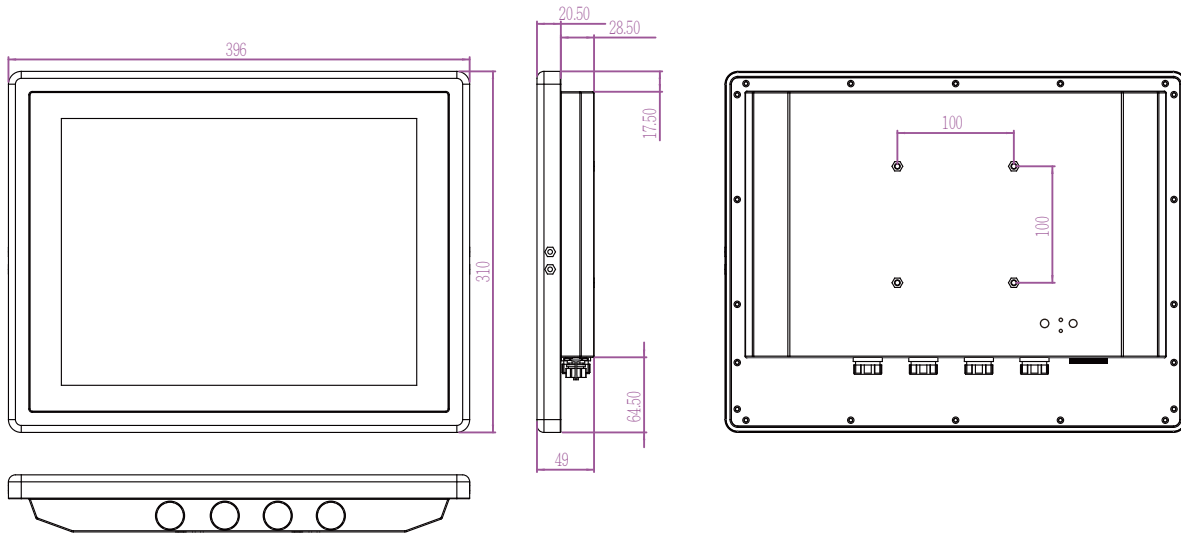
17F-10 NO. 79, SEC 1 XINTAI 5th RD.,
XIZHI DIST, 221, NEW TAIPEI CITY
22101 TAIWAN

Tel: +886 2 8698 3608
Fax: +886 2 8698 3606

<http://www.comxpc.com>



Technical Drawing

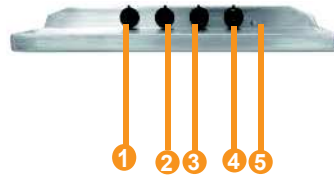


Packing & Options

Packaging

- System
- Power adaptor
- AC power cord

I/O & Control keys



- 1 USB
- 2 COM
- 3 LAN
- 4 Power
- 5 Ground



Front