



# CXM-15SR

## Features

- 15" XGA TFT LCD
- Stainless Steel Enclosure
- Total IP66/IP69K Rating
- Resistive Touch
- HDMI/VGA Input
- Power Input DC 12V Default/DC 9~36V for option



## Technical Specifications

### LCD

15" LED

### Brightness (cd/m2)

420

### Contrast Ratio

800:1

### Resolution

1024 x 768

### Active Screen Area

304.128 x 228.096

### Viewing Angle

160°(H) x 130°(V)

### Touch Panel

Resistive Touch

### I/O

1 x VGA M12, 1 x HDMI W.F, 1 x USB M12

### Front Frame

Stainless Steel

### Dimension (WxHxD)(mm)

399 x 324 x 53

### Power

DC 12V/5A

### Operating Temperature

-10°~60°C

COMX

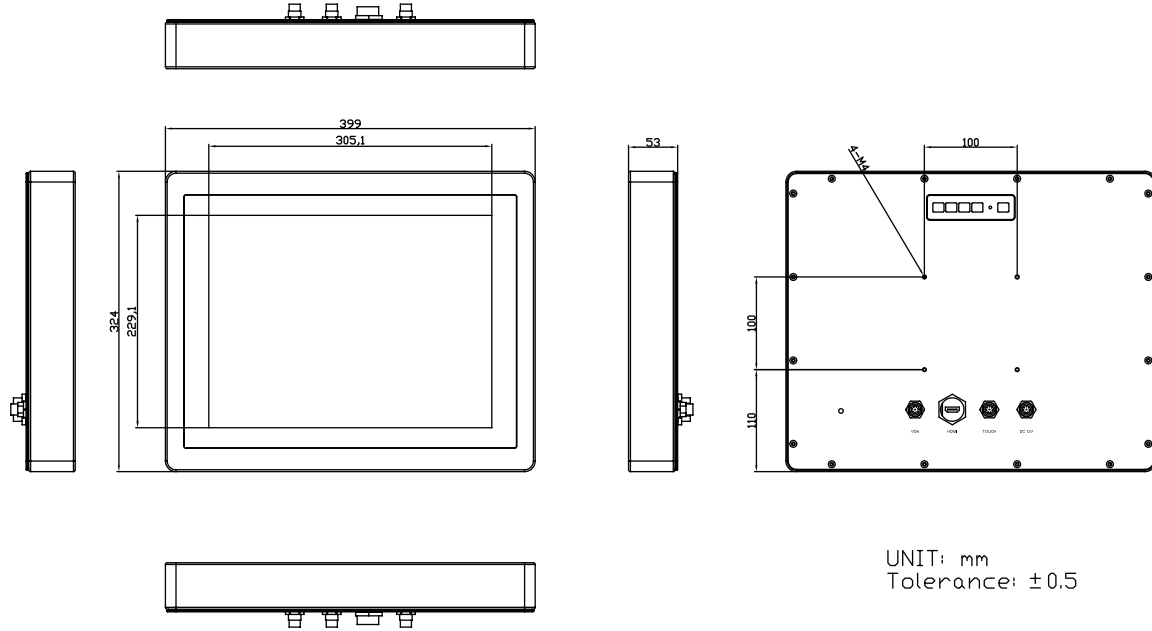
17F-10 NO. 79, SEC 1 XINTAI 5th RD.,  
XIZHI DIST, 221, NEW TAIPEI CITY  
22101 TAIWAN

Tel: +886 2 8698 3608  
Fax: +886 2 8698 3606

[www.comxpc.com](http://www.comxpc.com)



# Technical Drawing



## Packing & Options

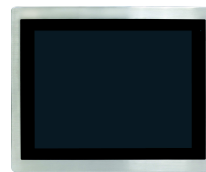
### Packaging

- System
- Power adaptor
- AC power cord
- Drivers & manual

## I/O & Control keys



- 1 VGA
- 2 HDMI
- 3 USB
- 4 DC 12 V



Front



Back