



# CXP-101A-N2930IPF

## Features

- 10.1" Industrial Compact Size Panel PC
- Flat front panel touch screen
- Fanless design
- Intel Celeron Processor N2930(1.83GHz) CPU built-in
- Onboard DDR3L 4GB /1600MHz
- 9~36V DC Wide-ranging Power Input
- IP65 compliant front panel



## Technical Specifications

### LCD

10.1" LED 1280 x 800

### Brightness (cd/m2)

350

### Contrast Ratio

800:1

### CPU

Intel Celeron N2930

### Memory

Onboard 1600 MHz dual-channel DDR3L  
supports up to 4GB

### OS Support

Windows

### Touch Panel

Projected Capacitive Touch

### I/O

2 x USB 3.0 , 1 x COM (RS232/422/485), 1 x COM (RS232)  
2 x LAN

### Dimension (WxHxD)(mm)

202 x 149 x 40

### Power

DC 12V

### Operating Temperature

0°~50°C

### Storage Temperature

-20°~60°C

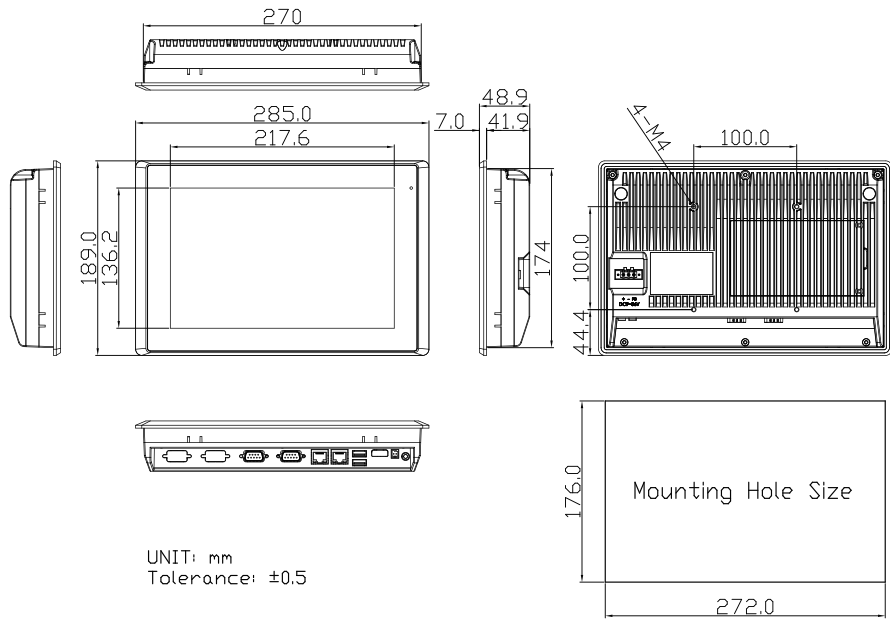
### COMX

17F-10 NO. 79, SEC 1 XINTAI 5th RD.,  
XIZHI DIST, 221, NEW TAIPEI CITY  
22101 TAIWAN

Tel: +886 2 8698 3608  
Fax: +886 2 8698 3606



# Technical Drawing



## Packing & Options

## I/O & Control keys

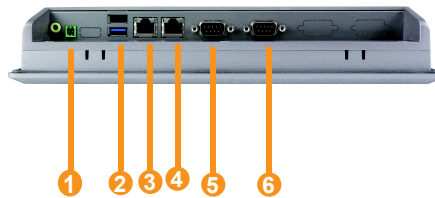
### Packaging

- System
- Power adaptor
- AC power cord
- Drivers & manual

### Options

- 2 x RS-232 DB-9 + 1 x Mini-PCIe slot
- 2 x CAN bus
- 2 x USB 2.0 type A
- 2 x USB 2.0 type A + 1 x Mini-PCIe slot + 1 x RS-232 DB-9

- 1 DC 12 V
- 2 USB
- 3 LAN
- 4 LAN
- 5 COM
- 6 COM



Front



Back