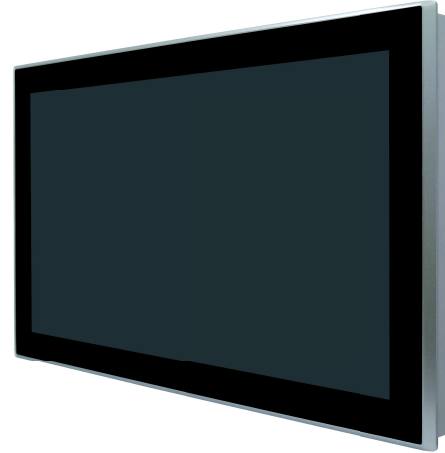




CXP-32A-4010UIPF

Features

- 32" Industrial Compact Size Panel PC
- Flat front panel touch screen
- Fanless design
- Intel 6th Gen. Core i5 CPU built-in
- 2 x SODIMM 204-PIN DDR3L up to 16GB
- 90~264V AC ~50/60Hz
- IP65 compliant front panel



Technical Specifications

LCD

32" LED 1920 x 1080

Brightness (cd/m2)

500

Contrast Ratio

3000:1

CPU

Intel 6th Gen. Core i5 6300U

Memory

Two 204-pin 1600/1333 MHz dual-channel DDR3L supports up to 16GB

OS Support

Windows

Touch Panel

Projected Capacitive Touch

I/O

4 x USB 3.0 , 1 x COM (RS232/422/485), 1 x COM (RS232)
2 x LAN

Dimension (WxHxD)(mm)

810 x 490 x 70

Power

AC 90~264V

Operating Temperature

0°~50°C

Storage Temperature

-20°~60°C

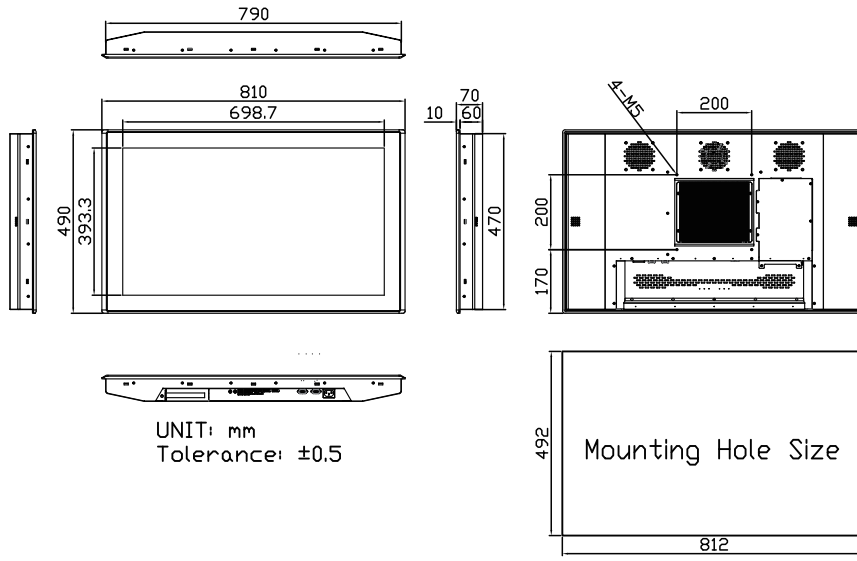
COMX

17F-10 NO. 79, SEC 1 XINTAI 5th RD.,
XIZHI DIST, 221, NEW TAIPEI CITY
22101 TAIWAN

Tel: +886 2 8698 3608
Fax: +886 2 8698 3606



Technical Drawing

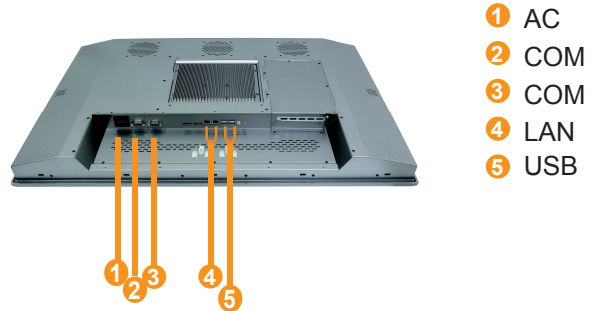


Packing & Options

Packaging

- System
- Power adaptor
- AC power cord
- Drivers & manual

I/O & Control keys



Front



Back