



# CXP-15S-CIIR

## Features

- 15" Intel Core i7/i5/i3 Fanless Stainless Panel PC
- IP66 full sealed with Anti-corrosion enclosure
- 15" LCD with full flat Resistive touch
- i-Cooling thermal control system
- Special thermal design with anti-condensation
- IP67 M12 metal connectors
- IP67 power adapter and IP67 external I/O cables
- CE, FCC, VCCI Class B passed
- Optional Mini-PCIe WLAN with external antenna
- Optional Sunlight readable with optical bonding



## Technical Specifications

### LCD

15" LED 1024x 768

### Brightness (cd/m2)

400

### Contrast Ratio

600:1

### CPU

Intel Core i7/i5/i3 processor

### Memory

Two 204-pin 1333/1600 MHz dual-channel DDR3  
SO-DIMM supports up to 16GB

### OS Support

Windows

### Touch Panel

5 wire Full Flat Resistive Touch

### I/O

2 x USB M12 , 2 x COM M12 (RS232)  
1 x LAN M12

### Dimension (WxHxD)(mm)

360 x 309.5 x 58

### Power

DC 12V

### Operating Temperature

0°~40°C

### Storage Temperature

-20°~60°C

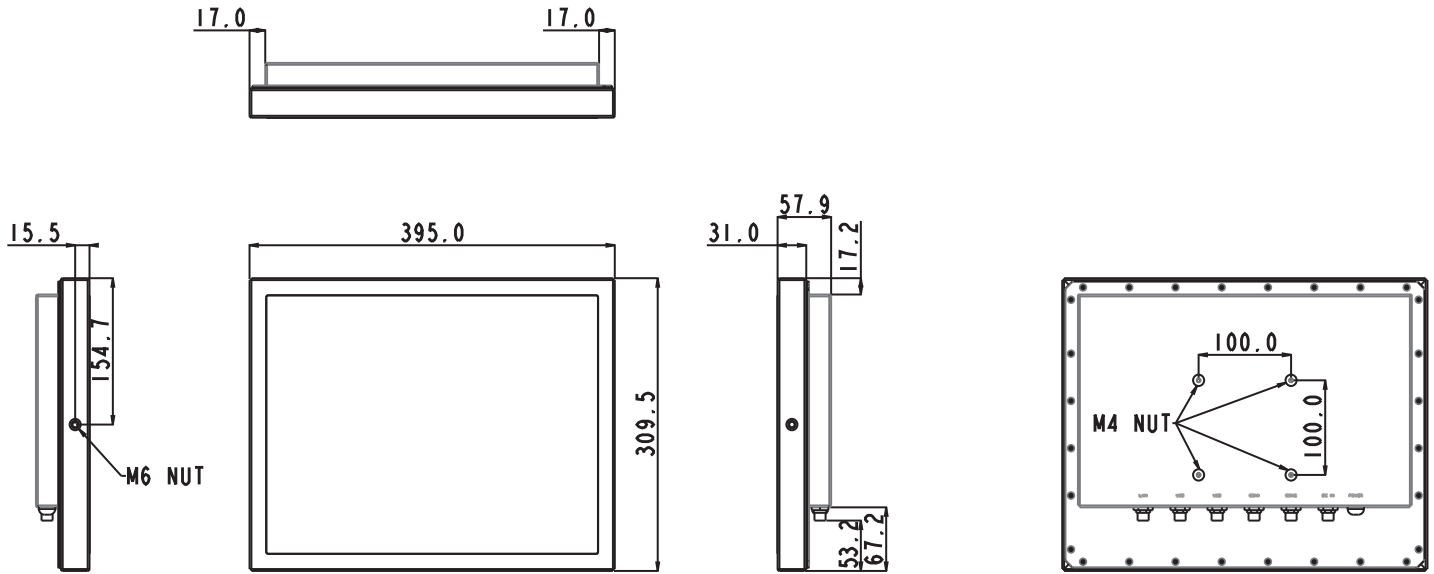
### COMX

17F-10 NO. 79, SEC 1 XINTAI 5th RD.,  
XIZHI DIST, 221, NEW TAIPEI CITY  
22101 TAIWAN

Tel: +886 2 8698 3608  
Fax: +886 2 8698 3606



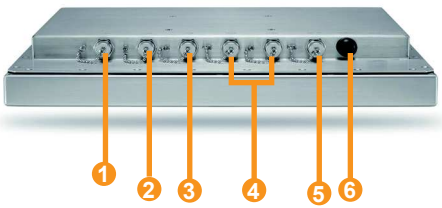
## Technical Drawing



### Packing & Options

- Packaging** System, power adaptor, AC power cord, DVD (drivers & manual)
- Options**
- Wireless or Wireless + BT kit (2 ant)
  - M12 to 1x COM cable
  - M12 to 1x USB cable (1 USB Port)
  - M12 to 2x USB cable (2 USB Ports)
  - M12 to 1x LAN cable (cable length is 2 meters, Waterproof )
  - SSD
  - Wall mount / table mount bracket
  - 2 EXTERNAL I/O (USB x2, LAN x2, COM x1)

### I/O & Control keys



- 1 Giga Lan
- 2 USB (1/2)
- 3 USB (3/4)
- 4 COM x 2
- 5 DC-in
- 6 Power on/off

### Customization

- 1000 nits high brightness LCD
- Sunlight readable optical bonding
- Anti UV and 7H coating
- Full flat PCT touch screen IP69K
- LCD Auto dimming
- LCD Super dimming (Low brightness)



Table Mount



Wall Mount